

SPECIFICATION

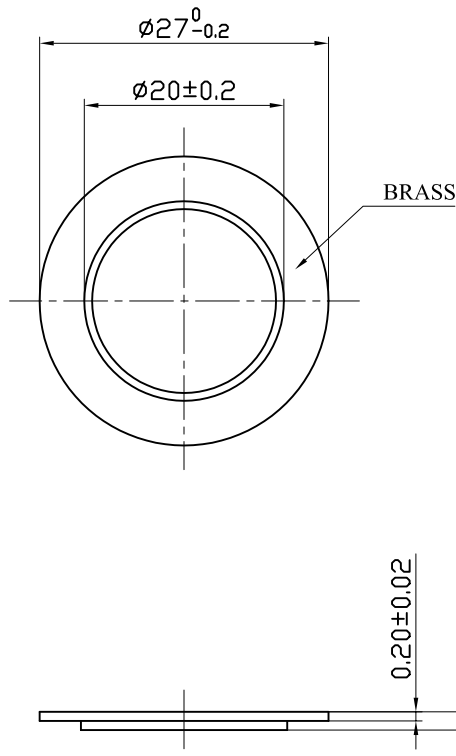
1. SCOPE

This specification is applied to the piezo-element.

2. SPECIFICATION

(at 25°C)

- | | | |
|---------------------------|---|-----------------------|
| 2.1 Resonant Frequency | : | 2.5±0.5 KHz |
| 2.2 Resonant Resistance | : | 500 Ω max |
| 2.3 Capacitance | : | 50000 pF±30% at 100Hz |
| 2.4 Input Voltage | : | 30 Vp-p max |
| 2.5 Operating Temperature | : | -20~+50°C |
| 2.6 Storage Temperature | : | -20~+70°C |
| 3. DIMENSION | : | as per figure |

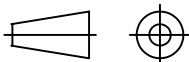


TOLERANCES UNLESS NOTED OTHERWISE

.X ±
.XX ±
.XXX ±

90° FORMED +2°
ANGLES -1°

FIRST ANGLE PROJECTION



DRAWN		KEPO MODEL NO.	CUSTOMER
DESIGN		MFT-27T-2.5A1	CUSTOMER NO.
CHECKED		DWG NO.	
APPROVED		KP3.840.818	VER 1.1
DATE	03.08.07		SCALE
CONTRACT NO.		KEPO CO., LTD.	UNIT mm
AGENCY APPROVAL			SHEET

TEL:(+86)574-88370330
FAX:(+86)574-88370329